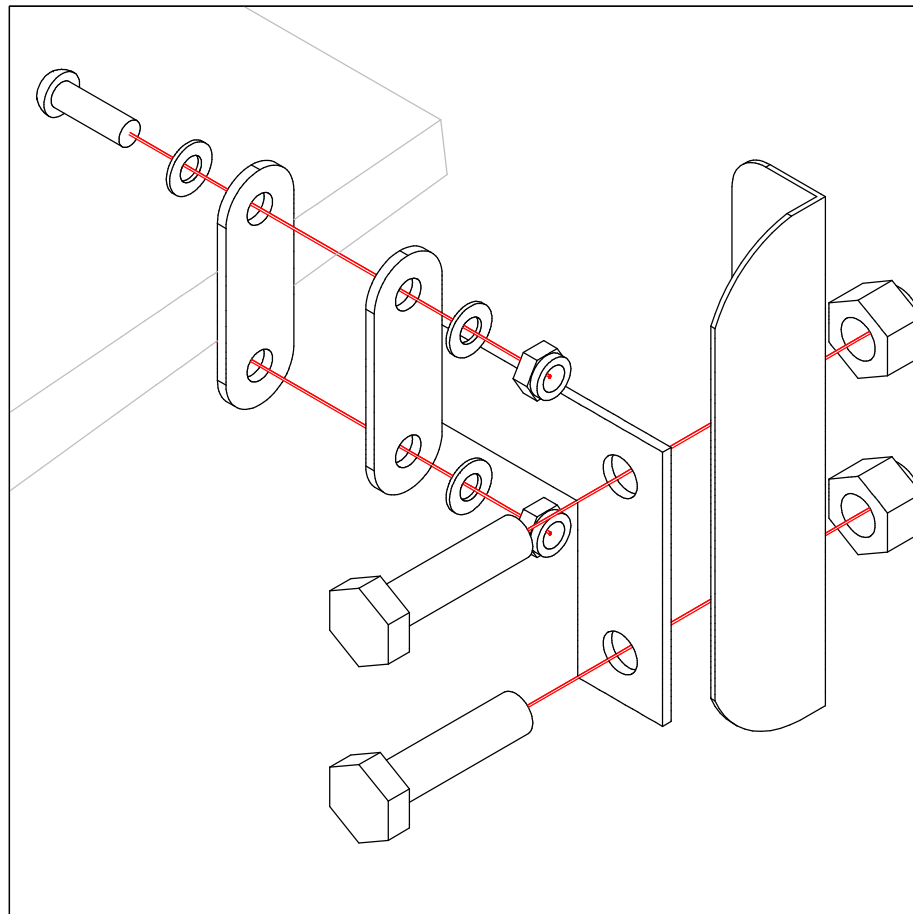
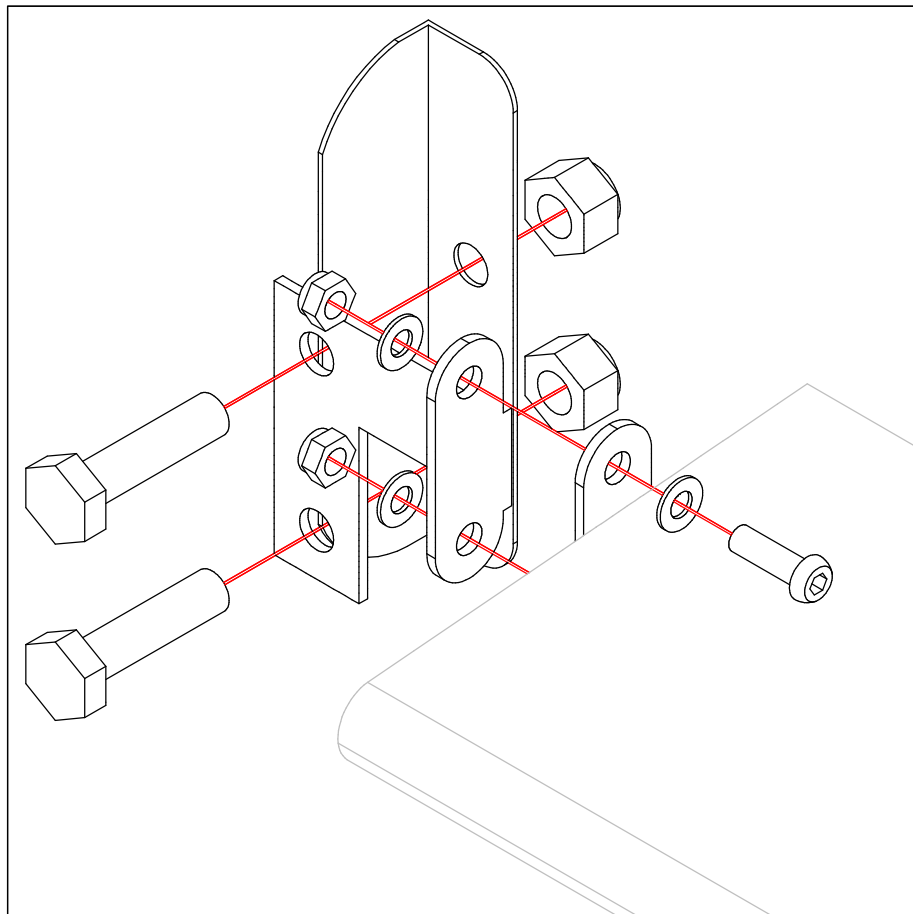


Air Splitter Installation Forward Mount

1. Remove quick jack assemblies from front of car.
2. Position brackets as show with the splitter mount facing forward.
3. Remount quick jacks with bracket fastened between quick jack sleeves and quick jack frame mount.
4. Mount splitter to bracket as shown in figures.



Air Splitter Installation Rearward Mount

1. Remove quick jack assemblies from front of car.
2. Position brackets as show with the splitter mount facing rearward.
3. Remount quick jacks with bracket fastened between quick jack sleeves and quick jack frame mount.
4. Mount splitter to bracket as shown in figures.

